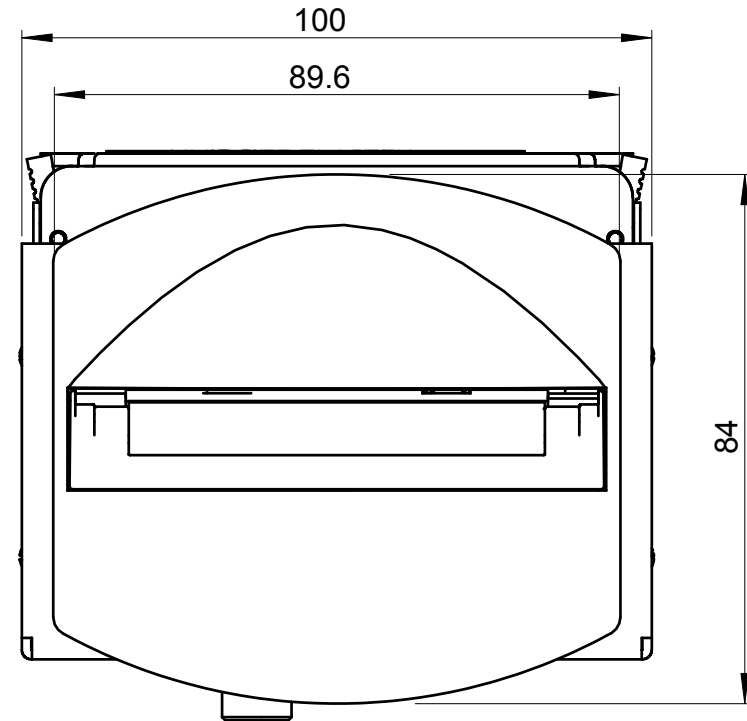
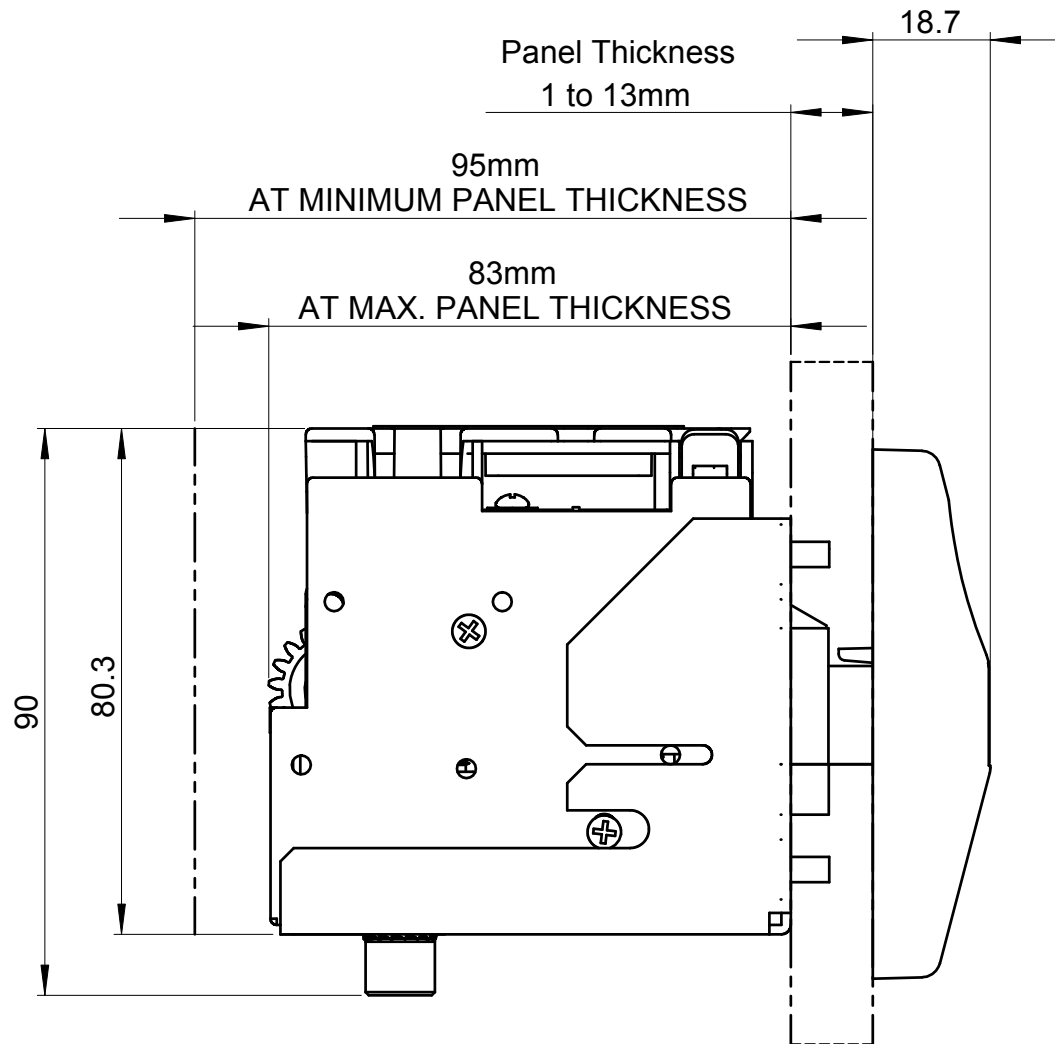


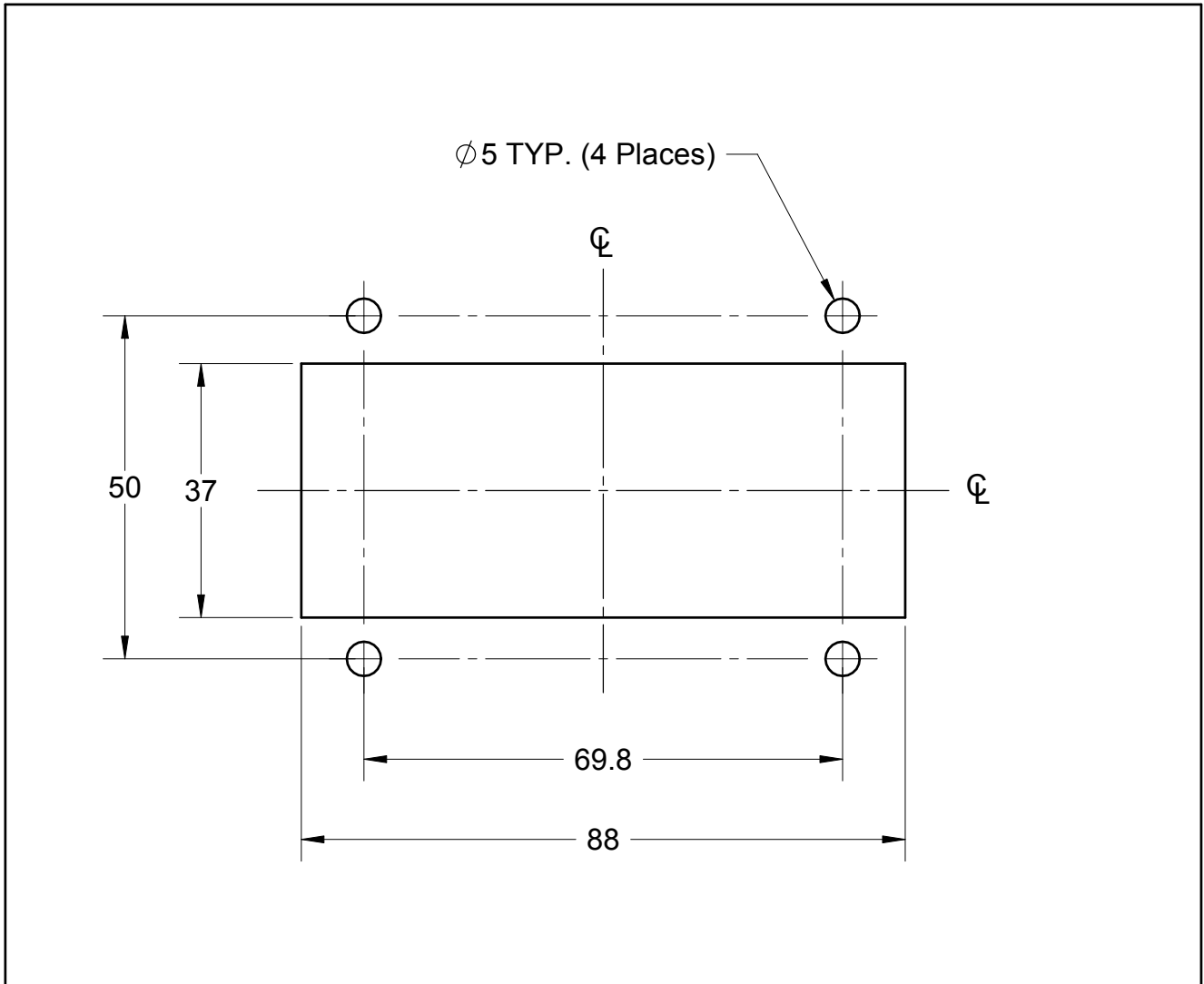
Standard Bezel Mono Bracket Kit - Space Envelope and Panel Thickness

PART No: ASY-M-130016

PANEL THICKNESS	SCREW LENGTH
1.0 ~ 4.5	M4 x 10 *
2.0 ~ 6.0	M4 x 12
6.0 ~ 10.0	M4 x 16 *
10.0 ~ 13.0	M4 x 20

* Order with Kit





**Recommended Standard Bezel Panel Cutout
for panel thickness 1mm ~ 13mm**